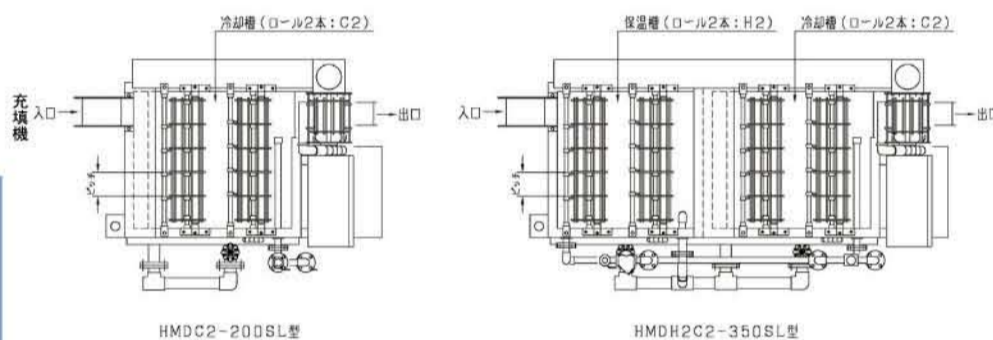




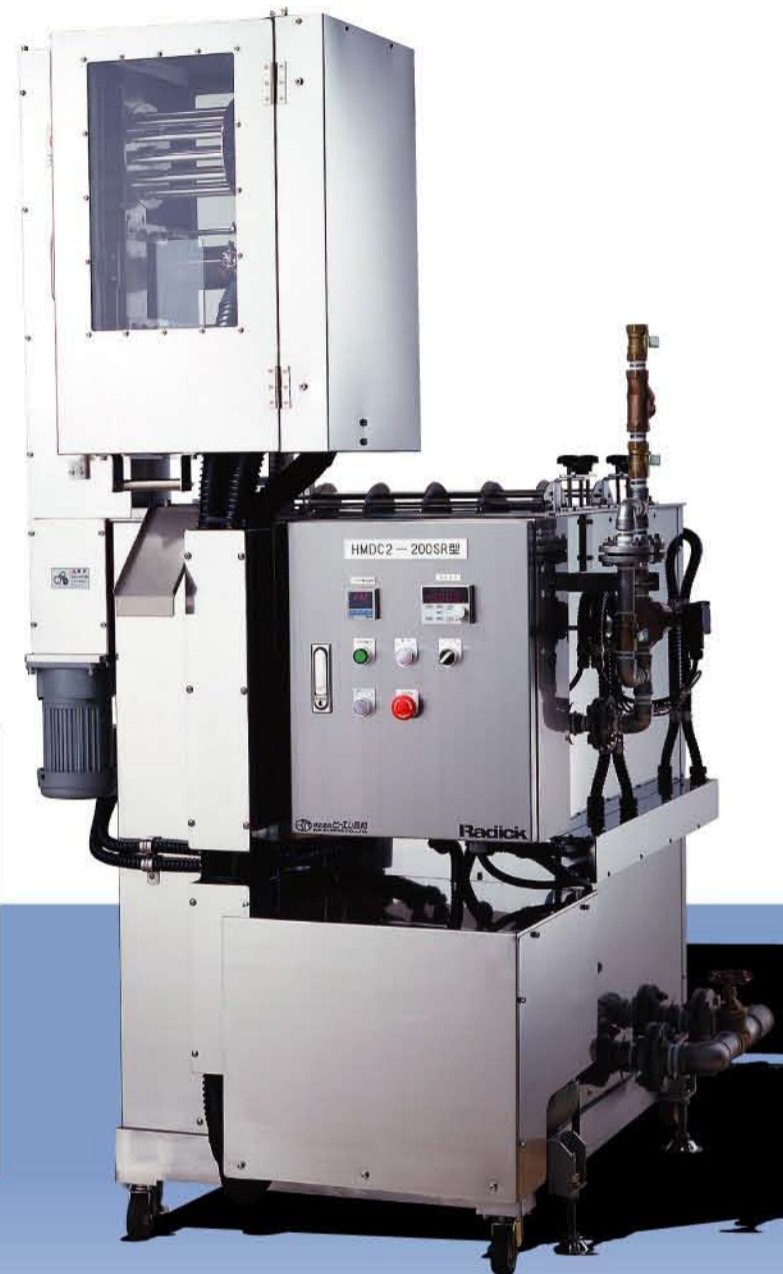
- Series packaging cooling system facilitates rapid cooling.
- Compatible with high-speed filling machines. (Up to 15/min)
- Water discharge process is easier, compared with a single cooling unit.
- Broad range of product variations can effectively be accommodated from small to large volume.
- Stainless steel is used in all areas of the unit, including pipes to ensure stringent hygienic conditions within the food plant.
- The unit is also available for heating, sterilizing and cooling after filling at room temperature.

### Example of application

Holding, cooling and heat treatment after small pack filling and packaging



※R/L indicates that R means Right-type, L means Left-type, viewed from the inlet direction.



### Specification

| Type                                | S-type 200 series  | S-type 350 series                      | L-type 1000L series                    | L-type 2000L series                    |
|-------------------------------------|--|--|--|--|
| Feed rate                           | 7 to 15m/min   | 7 to 15m/min                           | 7 to 15m/min                           | 7 to 15m/min                           |
| Small pack dimensions               | W30 to 90mm  | W30 to 90mm                            | W30 to 140mm                           | W30 to 160mm                           |
| Electrical capacity                 | AC200V 3.0kw   | AC200V 3.0kw                           | AC200V 3.0kw                           | AC200V 5.0kw                           |
| Rotating roller                     | 5-sections   | 5-sections                             | 5-sections                             | 5-sections                             |
| Coolant tank                        | 7.2m/tank *1   | 7.2m/tank *1                           | 7.2m/tank *1                           | 9.0m/tank *1                           |
| Holding tank                        | None   | 7.2m/tank *2                           | 7.2m/tank *2                           | 9.0m/tank *2                           |
| Installation dimensions of the unit | W1,021×H1,953<br>×L (minimum) 1,010 *3   | W1,021×H1,953<br>×L (minimum) 1,480 *3 | W1,362×H1,978<br>×L (minimum) 1,900 *3 | W1,700×H2,246<br>×L (minimum) 1,945 *3 |
| Pipe couplings                      | Steam  | None                                   | 1/2B (15A)                             | 1B (25A)                               |
|                                     | Water supply   | 3/4B (20A)                             | 3/4B (20A)                             | 3/4B (20A)                             |
|                                     | Water discharge  | 1 1/2B (40A)                           | 1 1/2B (40A)                           | 2B (50A)                               |
| Options                             | Reservoir box / water circulation chiller / removal roller / cooling drive stop clutch |  |  |  |

\*1: 7.2m is standard in each series. Extra amount is possible as desired. (Specifications out of the standard can be accommodated.)

\*2: 7.2m is standard in each series. Extra amount is possible as desired. (Specification only for cooling operation can be accommodated.)

\*3: Length of the unit can be increased if desired. (Submission of a plan drawing is necessary.)